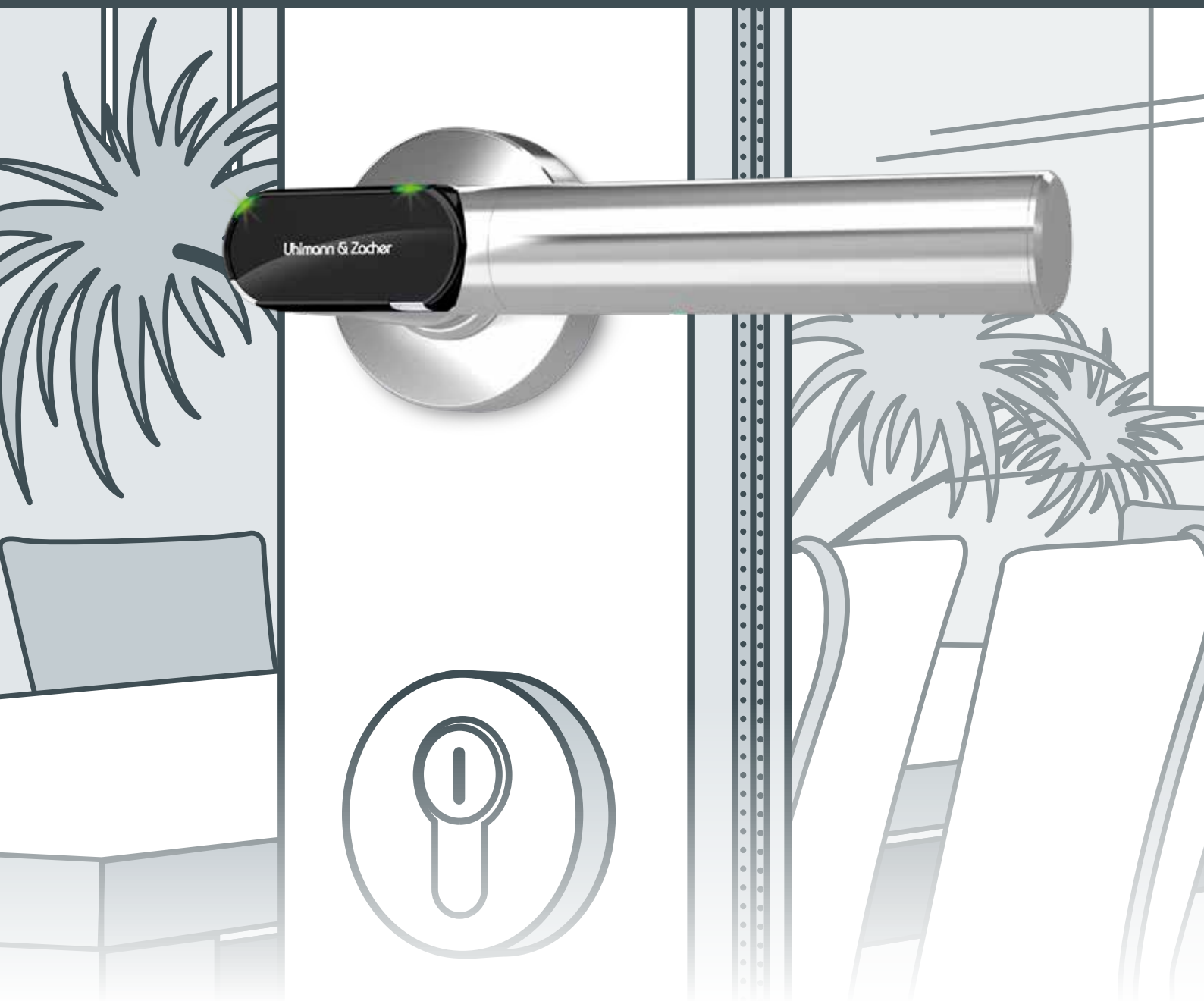
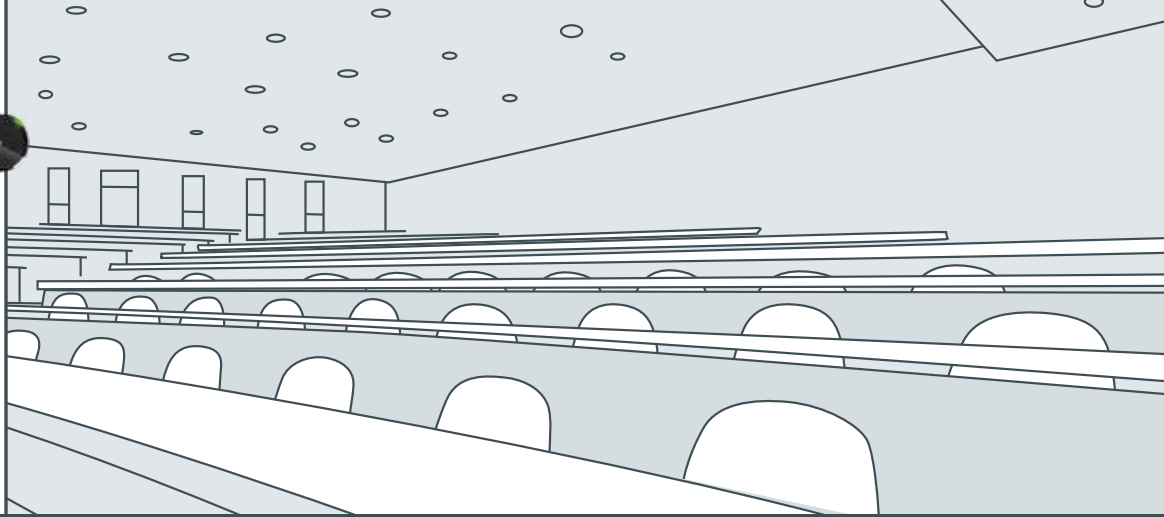
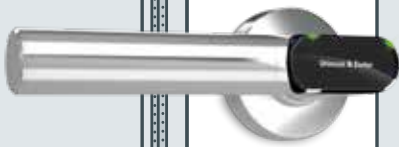


Uhlmann & Zacher

U[&]Z



*Electronic Door Handle
and Door Fitting*



U&Z

Uhlmann & Zacher has established itself in the electronic locking systems market since 1996. With many patented product developments and system enhancements, U&Z has set new benchmarks in the field of transponder-based locking systems. The company is focussing on open and integrated solutions in the development phase itself.

The electronic door handle and door fitting

Be it interior doors, storey doors or connecting doors – the **electronic door handle** CX6172/CX2172/CX8172 and the **electronic door fitting** CX6174/CX2174/CX8174 in a timeless stainless steel design can be installed in virtually all commercially available doors and electronically control the access to the doors.

The complete electronics, mechanical parts, LED signalling and the power supply have been fitted in the small space of the door handle. The installation in doors works without special tools or wiring. If desired, the door handle/door fitting can also be controlled via a radio network. The audible and visual signalling of the authorisation status using red and green LEDs enables intuitive operation.

The electronic door handle/door fitting can be used in the **Clex prime**, **Clex private** and **Clex public system** from Uhlmann & Zacher. The product also supports the open protocol **OSS Standard Offline**. In addition to the proven **868 MHz radio version**, the electronic door handle/door fitting can alternatively also be operated with **Bluetooth® Low Energy**.

In addition, the **Uhlmann & Zacher apps** enable the management, opening and closing of the units. Thereby the smartphone and the electronic door handle/door fitting communicate via Bluetooth® Low Energy.












The electronic door handle/fitting can be installed in **almost any building**, from industrial or office complexes over objects of public administration, hospitals, universities, law firms and doctors' clinics to residential buildings.

Your highlights at a glance:

- Easy assembly and retrofitting (Existing DIN holes can generally be used)
- Intuitive operation thanks to clear LED signaling
- Certified for fire and smoke resistant doors as well as for emergency exit locks
- Offline or online operation via radio network
- Choice of different versions and handle shapes
- Optionally with round or oval rosette
- Optionally with wide plate, narrow plate or short plate
- Logo disk with vendor logo possible

FEATURES

U2

	<p>MIFARE® 13.56 MHz The electronic door handle/fitting is suitable for passive transponders with MIFARE Classic® and MIFARE® DESFire® (13.56 MHz) technology.</p>
	<p>LEGIC® 13.56 MHz The electronic door handle/fitting is suitable for passive transponders with LEGIC® prime and LEGIC® advant (13.56 MHz) technology (not for Clex private products).</p>
	<p>EM/HITAG 125 kHz The electronic door handle/fitting is suitable for passive transponders with EM/HITAG (125 kHz) technology (not for Clex private and Clex public products).</p>
	<p>OSS Standard Offline The electronic door handle/fitting supports OSS Standard Offline (only for Clex public products).</p>
	<p>868 MHz Radio The electronic door handle/fitting supports 868 MHz radio.</p>
	<p>Bluetooth® The electronic door handle/fitting supports the Bluetooth® Low Energy technology.</p>
	<p>IP66 The electronic door handle/fitting is specifically designed for outdoor use. It is dust and waterproof according to protection class IP66 and thus protected against powerful water jets.</p>
	<p>IDS connection An intrusion detection system can be enabled or disabled using the door handle/door fitting with an authorised transponder (not for Clex public products).</p>
	<p>Emergency exit locks DIN EN 179 The electronic door handle/door fitting is approved for use in emergency exit locks according to DIN EN 179 standard.</p>
	<p>Fire and smoke resistant doors DIN EN 1634 The electronic door handle/door fitting is approved for use in fire and smoke resistant doors.</p>
	<p>Classification key DIN EN 16867 Products receive a classification key according to their tested features, which provides information on features such as usage category, long-term functionality, fire and smoke resistance, environmental resistance or security of authorization. The electronic door handle/door fitting reaches the classification key 47-B11D00, the respective outdoor version the classification key 47-B14D00.</p>

Configuration examples

UZ

Versions of the Electronic Door Handle



Electronic Door Handle
as version with round rose



Electronic Door Handle
as version with oval rose



Electronic Door Handle
for glass door locks

Versions of the Electronic Door Fitting



Electronic Door Fitting narrow
in blind version



Electronic Door Fitting wide
in blind version



Electronic Door Fitting with
short plate in blind version

Variations of lever handles



L-Form L1



U-Form U1



U-Form U2

Key rose Door Handle



Round Rose
Profile Cylinder



Round Rose
Blind



Oval Rose
Profile Cylinder



Oval Rose
Blind

Keyhole Door Fitting



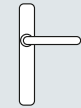
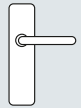



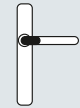
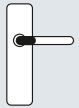


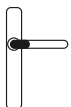
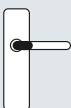
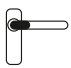


Profile Cylinder



Blind

Overview of combinations

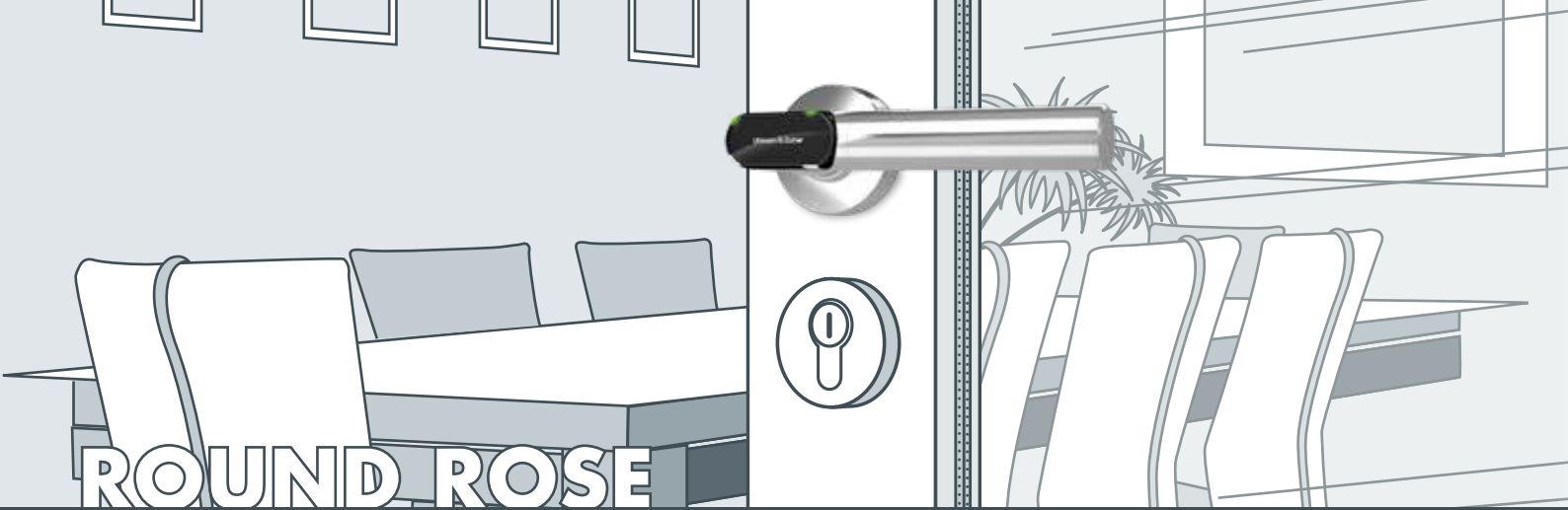
Electronics outside	Mechanical system inside					Electronic system inside			
									
	+					+			
		+					+		
		+	+					+	
	+			+					+
					+				

Mechanical Door Handle



Mechanical Door Fitting





ROUND ROSE

U2

The electronic door handle is available in a version as round rose. A key rose is also available, blind or with profile cylinder hole.

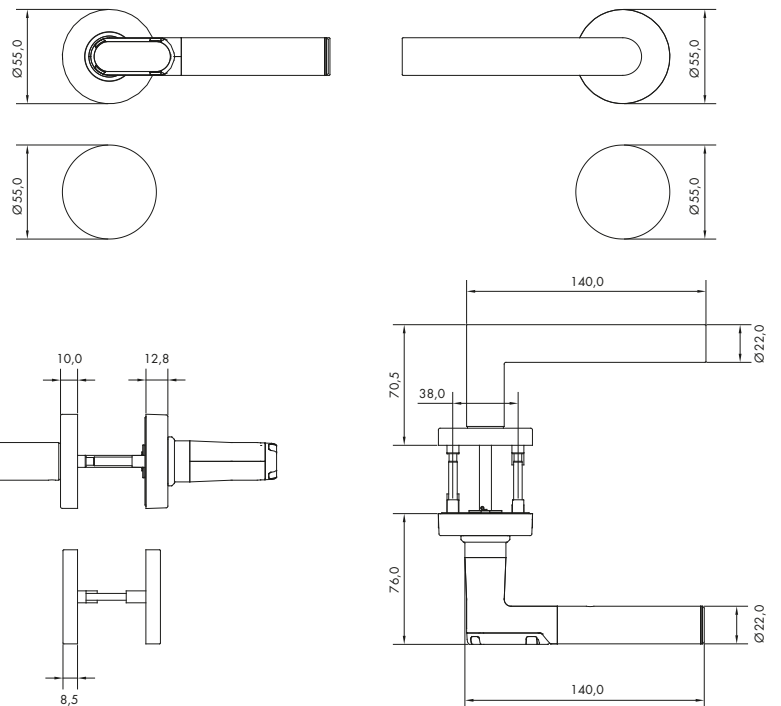
Electronic side



Mechanical side



Dimensions of round rose



The electronic door handle with round rose is also suitable for use on glass doors in combination with special glass door locks.



Uhlmann & Zacher

OVAL ROSE

U2

The electronic door handle is available in a version as oval rose. A key rose is also available, blind or with profile cylinder hole. The electronic door handle with oval rose is specially suited for use in tubular frame doors.

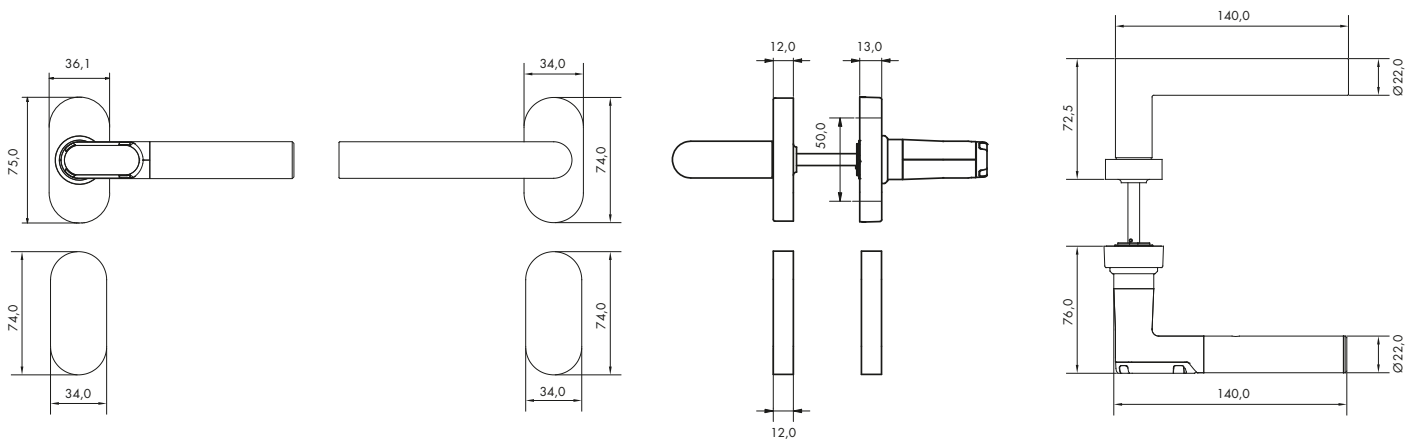
Electronic side



Mechanical side



Dimensions of oval rose





Uhlmann & Zacher

DOOR FITTING WIDE VERSION

U2

The electronic door fitting is available in a wide version. Blind versions and versions with profile cylinder holes are available to choose from. The wide version of the electronic door fitting is particularly suitable for use in existing doors, if the holes in the door need to be concealed.

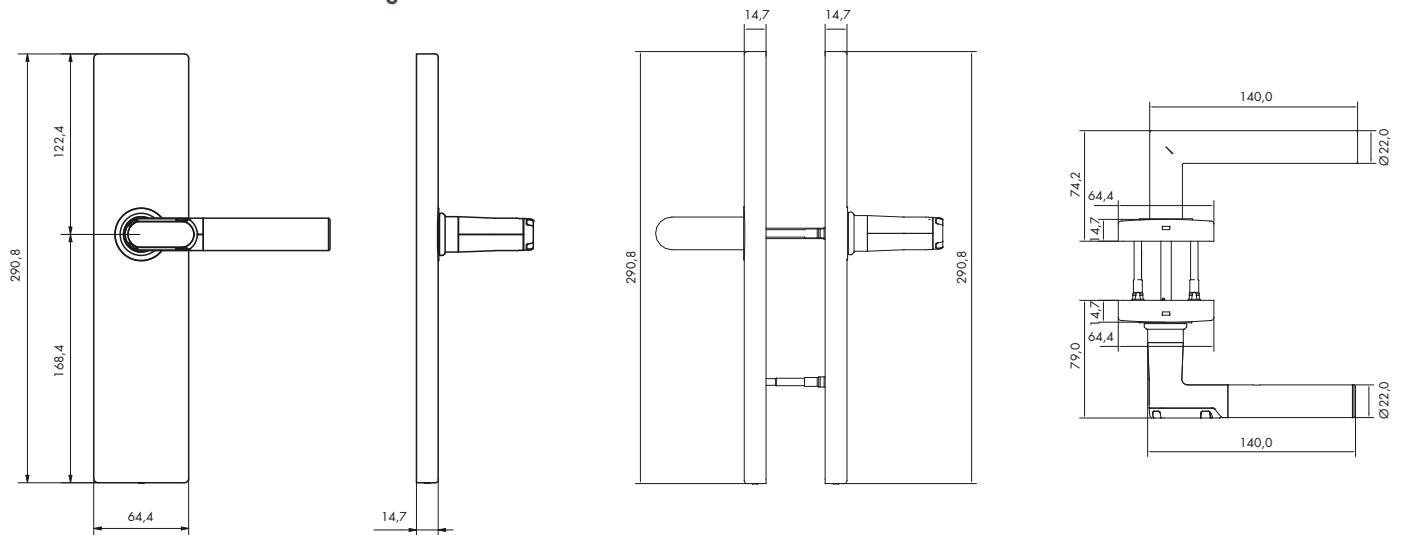
Electronic side



Mechanical side



Dimensions of wide door fitting







DOOR FITTING NARROW VERSION

U2

The electronic door fitting is available in a narrow version. Blind versions and versions with profile cylinder holes are available to choose from. The narrow version of the electronic door fitting is particularly suitable for use in tubular frame doors.

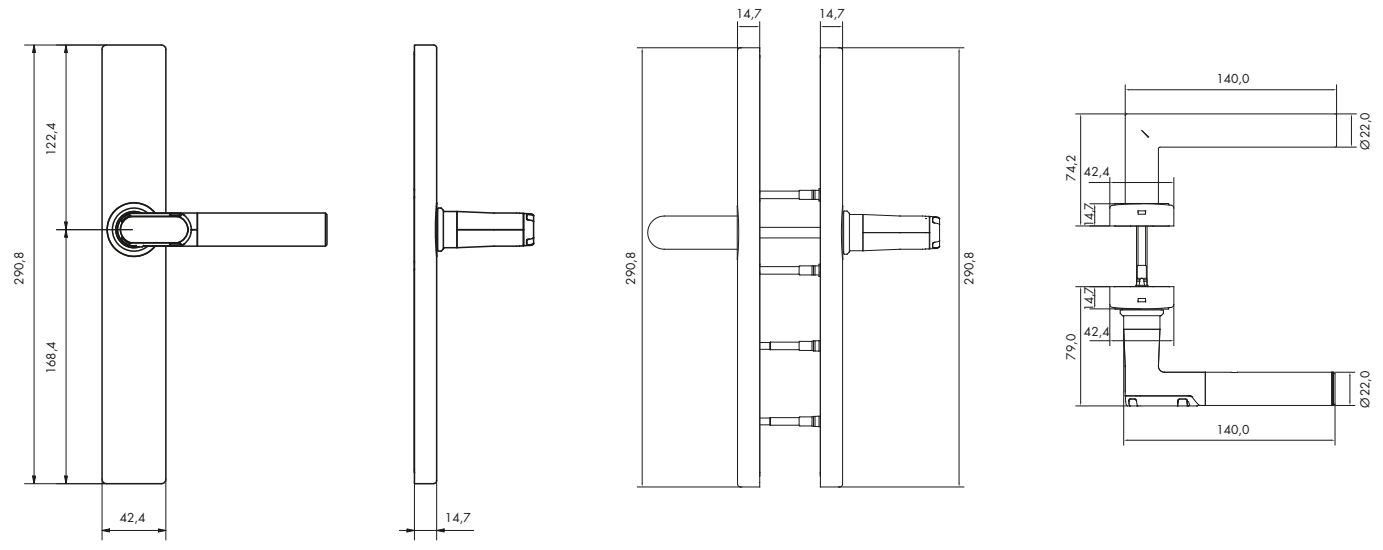
Electronic side



Mechanical side



Dimensions of narrow door fitting





Uhlmann & Zocher

DOOR FITTING WITH SHORT PLATE

U2

The electronic door fitting is available in the short plate version. Blind versions and versions with profile cylinder holes are available to choose from. The electronic door fitting with short plate is particularly suitable for use in fire and smoke resistant doors as the hole layout matches exactly the standard holes for this kind of doors.

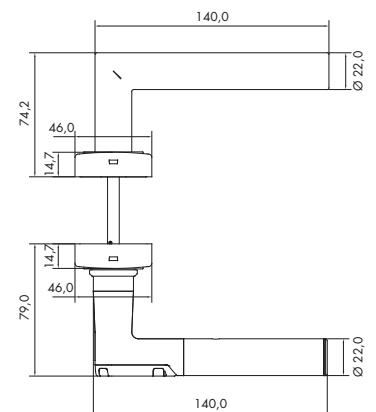
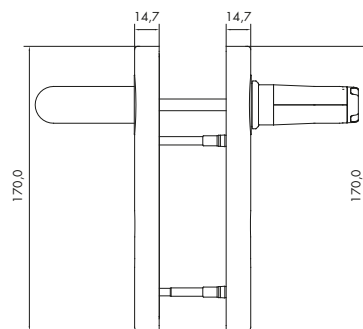
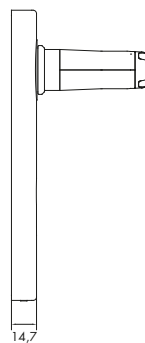
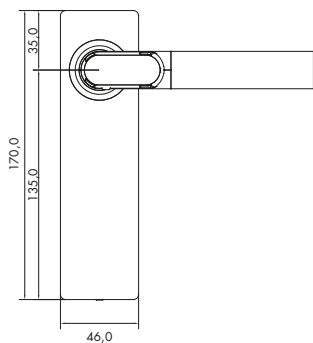
Electronic side



Mechanical side



Dimensions of door fitting with short plate





Awards

The electronic door handle CX6172 has **revolutionised** the electronic locking systems market. The complete electronics, mechanical parts, LED indicators and power supply have been completely fitted in the small space **within the door handle**. Due to this extremely compact design, the product is **unmatched** till date. The product range of the CX6172 and the electronic door fitting CX6174 have already won several national and international **awards**.

UZ





**GOLDENER
PROTECTOR
2016**

Kategorie
Zutrittskontrolle

Uhlmann
& Zacher
GmbH

Elektronischer
Türbeschlag
CX6174

Certificates

UZ

MPA NRW

Materialprüfungsamt Nordrhein-Westfalen
Prüfen · Überwachen · Zertifizieren

BESCHEINIGUNG

Nr. 0432-EN 179-ift P-15-003300-PR02

(Version 02)

Über die Konformität von Drückergarnituren mit den Anforderungen der
DIN EN 179: 2008

Die Sonderbeschläge des Herstellers:	Uhlmann & Zacher GmbH Gutenbergstraße 2-4 97297 Waldbüttelbrunn
Ausführung	nach allgemeinen bauaufsichtliche Prüfzeugnis P-15-003300-PR02-ift vom ift Rosenheim

wenden bei Verschlüssen Typ A oder B mit Funktion I (Triofo-Wechselfunktion E) als Außenbeschläge in zertifizierten Notausgangverschlüssen gemäß DIN EN 179: 2008 der folgend aufgeführten Hersteller verwendet. Die Verschlüsse unterliegen einer regelmäßigen Überwachung der werkseitigen Produktionskontrolle durch die notifizierte Stelle MPA NRW.

Verschlusshersteller	Nummer des Zertifikates der Leistungsbeständigkeit
BKS GmbH	0432-CPR-00029-03
	0432-CPR-00029-04
	0432-CPR-00029-11
	0432-CPR-00029-12

Die Bestimmungen der den Zertifikaten der Leistungsbeständigkeit zugeordneten Dokumente sind zu beachten.

Dortmund, den 18.02.2017
im Auftrag

A. Horsthemke (B.Eng.)
Stellvertretende Prüfstellenleiterin



Diese Bescheinigung ersetzt die Bescheinigung Nr. 0432-EN 179-ift P-15-003300-PR02, Version 01, vom 08.03.2017.
Materialprüfungsamt Nordrhein-Westfalen · Marschstraße 108 · 44297 Dortmund · Telefon +49 (0)201 4952-0 · Telefax +49 (0)201 49549-0
MPA NRW Bundesprüfstellenamt Erlangen · Auf den Thümlen 2 · 91070 Erlangen · Telefon +49 (0)7941 997-0 · Telefax +49 (0)7941 997-48
· E-Mail: info@mpa-nrw.de · www.mpa-nrw.de

Allgemeines bauaufsichtliches Prüfzeugnis



Prüfzeugnis Nummer: P-15-003300-PR02-ift
(ASP-G03-03-06-02)

Gegenstand: Türdrückergarnituren für Feuerschutzüren und Rauchschutzüren gemäß Ausführung und Zusammenstellung in der Anlage 1

Entsprechend Rd Nr. 6.17, Bauelemente A Teil 1 - aktuelle Ausgabe Türdrückergarnituren für Feuerschutzüren und Rauchschutzüren

Antragsteller: **Uhlmann & Zacher GmbH**
Gutenbergstr. 2-4
97297 Waldbüttelbrunn
Deutschland

Gültig ab: 22.06.2017
Gültig bis: 04.12.2021

Inhalt:

1. Allgemeine Bestimmungen
2. Besondere Bestimmungen
3. Gegenstand und Anmerkungen Anwendungsbereich
4. Bestimmungen für das Bauelement
5. Überwachungsbescheinigung
6. Überwachungsbescheinigung (Ü-Bescheinigung)
7. Nachweisführung
8. Nachtraganlage
9. Allgemeine Hinweise
10. Normative Verweise

Das bauaufsichtliche Prüfzeugnis umfasst 18 Seiten inklusive 2 Anlagen

Das bauaufsichtliche Prüfzeugnis ersetzt das allgemeine bauaufsichtliche AP: P-15-003300-PR02-ift (ASP-G03-03-06-02) vom 15.03.2017. Dem gemäß am 05.12.2016 durch das ift Rosenheim ein Verwendbarkeitsbescheid worden.



Übereinstimmungszertifikat



Zertifikatsnummer: 235-9009596-1-3

Hiermit wird bestätigt, dass folgende Bauprodukte

Türdrückergarnituren für Feuerschutz- und Rauchschutzüren

Produktbeschreibung/ Spezifikation: **Zusammenstellung gemäß Anlage 1**

Im Verkehr gebräuchlich unter dem Namen oder Markenname: **Uhlmann & Zacher GmbH**
Gutenbergstr. 2-4, D 97297 Waldbüttelbrunn

und hergestellt in dem Produktionsstätten der Hersteller: **9009596 + 8008898**

nach dem Eigenbetrieb der werkseitigen Produktionskontrolle und der von der bauaufsichtlich anerkannten

ift Rosenheim GmbH
Theodor-Göb-Str. 7-9
83025 Rosenheim

Kennziffer: **BAV 15**

durchgeführten Fremdüberwachung den Bestimmungen

des allgemeinen bauaufsichtlichen Prüfzeugnisses
Nr. P-15-003300-PR02-ift
vom 11. April 2016 gültig bis 04. Dezember 2021

entsprechend gezeichnet.

Der Hersteller ist somit berechtigt, das Bauprodukt mit dem Übereinstimmungszertifikat (Ü-Zertifikat) gemäß der Übereinstimmungszertifikatsverordnung zu kennzeichnen.

Die Verwendung dieses Zertifikats und die Kennzeichnung des Produkts ist an dem bestehenden Zertifizierungs- und Überwachungsvertrag mit dem ift Rosenheim Nr. 235-9009596 gebunden.


Prof. Ulrich Engel
Leiter des Institut für
Bautechnik (ITB) der
Technischen Universität
Dortmund


Christian Kuhn
Leiter der örtlichen
Produktionsüberwachung



www.ift-ift.de

www.ift-ift.de

www.ift-ift.de

Configuration



The **configuration form** is an optimised tool for **ordering the electronic door handle and door fitting**. Using the built-in shortcut keys you can, for example, fill several columns at the same time with just one click and thus save time or check the completed form for any errors using the „Check and correct“ button before sending the form. The configuration form is constantly updated and extended to reflect the new versions and features of the product range.





Uhlmann & Zacher