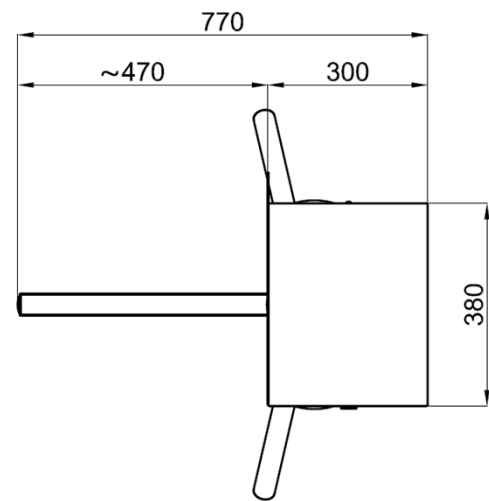
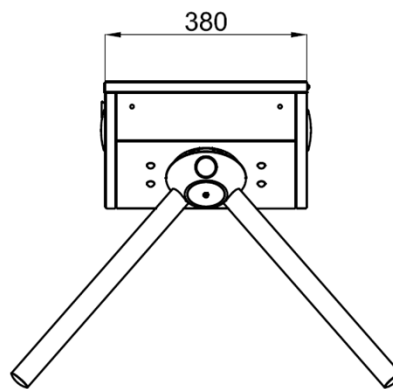
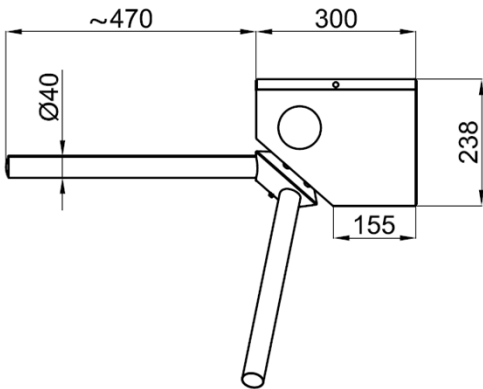


400 BUS TECHNICAL SPECIFICATIONS



Power Requirements : 24V. DC

Dimensions : 380x300x238 + Arm length 470mm

Arms : Single-sided. Ø40mmx2mm 304-Grade (Opt. 316-Grade) Stainless steel. Arms can be dismantled or mounted one by one separately. Special polyamide rotor head.

Body Features : 304-Grade (Opt. 316-Grade) Stainless steel with brushed (Opt. Satin) surface, lockable top lid.

Indicator Features : Green Arrow & Red Bar LED and top passage indicator.

Operating Temperature, Humidity, IP Rating:
: -20°C to +68°C (Opt. -50°C with heater unit) / RH 95% non-condensing /

IP 54 Outdoor Model (Opt. IP 56).

- Control System** : All inputs are opto-coupler protected .Controlled by dry contact or grounding input. Compatible with all access control systems that provide dry contact or grounding outputs. Optional RS232/RS485/TCP IP control module is available.
- Operation** : Bi-directional passage, soft stopping manually (Opt. Motorized) operated system.
- Output Data** : The system provides dry contact passage feedback by relays.
- Emergency Mode** : (Standard: Fail Safe); in case of power failure or emergency, the arms rotate freely to allow rapid passage (Opt. Fail Secure).

- Flow Rate** : Capacity of Mechanism (Manual System): ~90 passages/minute
Nominal: ~20 - 46 passage-per-minute (Recommended reference figure)
- ❖ **Explanatory Notes:**
- The above given figures are approximate for one person per walkway or lane.
 - The system allows the new passage authorisation in less than ~0, 3 seconds. After the passage authorization, the total passage time depends on the pushing and passage speed of the people.
 - Utilisation of different access control units can change the flow rate.

- Standard Features** : Vibration resist body for use in vehicle, ground fixing flange, bar fixing apparatus, stuck-free solenoid, microprocessor controlled, busy signal feature, time reset (adjustable), easy

installation using the existing bus bars, connection for motor driven option, connection for automatic drop arm option, connection for free passage button.

Optional Accessory and Applications:

Remote control units, interface unit for PC, RS485, RS232 and LAN, counter, audio-messaging system, , alarm sensor, heater positive unit, coin slot/intelligent coin system and coin box, card reader pole, pipe barrier (Separator), floor mounting plate.

Motor driven unit (optional):

DC motor, motor driver, special bus program, ready for passage movement, heavy duty performance, belt driven, gentle arm movement preventing push on person.

Automatic drop (retractable) arm (optional):

Automatic trigger mechanism to drop the arm, manual dropping after >45kg force applied, automatic dropping in case of emergency and power, connection for additional battery, special polyamide locking hook.

Automatic raising up function (with motor driven units only).

**Design and specifications are subject to change without notice.*